

NOTE A
ITEM 441 ASPHALT SURFACE COURSE IS TO BE LEVEL OR 1/4" ABOVE GUTTER PLATE.

NOTE B
TACK COAT FACE OF CURB PRIOR TO ITEM 441 PLACEMENT, INCIDENTAL TO ITEM 441 ASPHALT CONCRETE.

△ TRANSITIONS FROM 17.0' TO 6.0' BETWEEN STA. 13+84.58 TO STA. 14+52.91

OHIO STREET TYPICAL SECTION

STA. 11+91.38 TO STA. 15+07.10 = 315.72'

LEGEND - TYPICAL SECTIONS

- ① - ITEM 441 - 1-1/4" ASPHALT CONCRETE SURFACE COURSE, TYPE 1, (449)
- ② - ITEM 407 - NON-TRACKING TACK COAT (APPLIED AT 0.090 GAL PER SQ. YD.)
- ③ - ITEM 441 - 1-3/4" ASPHALT CONCRETE INTERMEDIATE COURSE, TYPE 2, (449)
- ④ - ITEM 301 - 3" ASPHALT CONCRETE BASE, PG64-22
- ⑤ - ITEM 304 - 6" AGGREGATE BASE
- ⑥ - ITEM 204 - SUBGRADE COMPACTION, AS PER PLAN
- ⑦ - ITEM 411 - 4" STABILIZED CRUSHED AGREGATE
- ⑧ - ITEM 608 - 4" CONCRETE WALK
- ⑨ - ITEM 609 - COMBINATION CURB AND GUTTER, TYPE B
- ⑩ - ITEM 659 - SEEDING AND MULCHING, CLASS 1, AS PER PLAN
- ⑪ - ITEM 605 - 4" BASE PIPE UNDERDRAINS, AS PER PLAN
- ⑫ - ITEM 609 - TYPE 6 BARRIER CURB
- (A) - EXISTING ASPHALT AND ASPHALT BASE MATERIALS
- (B) - EXISTING CONCRETE WALK
- (C) - EXISTING CONCRETE CURB

LEGEND - PLAN SHEETS

- GRIND AND OVERLAY**
ITEM 254 - 1-1/4" PAVEMENT PLANING, ASPHALT CONCRETE
ITEM 441 - 1-1/4" ASPHALT CONCRETE SURFACE COURSE, TYPE 1 (449)
- CONCRETE WALK**
- ITEM 411 - 4" STABILIZED CRUSHED AGGREGATE
- ITEM 608 - 4" CONCRETE WALK
- CURB RAMP**
- ITEM 411 - 4" STABILIZED CRUSHED AGGREGATE
- ITEM 608 - CURB RAMP
- FULL DEPTH REPLACEMENT***
SEE TYPICAL SECTION FOR PAVEMENT COMPOSITION
- RESIDENTIAL DRIVE**
- ITEM 204 - SUBGRADE COMPACTION, AS PER PLAN
- ITEM 304 - 6" AGGREGATE BASE
- ITEM 452 - 6" NON-REINFORCED CONCRETE PAVEMENT, CLASS QC-1P
- COMMERCIAL DRIVE**
- ITEM 204 - SUBGRADE COMPACTION, AS PER PLAN
- ITEM 304 - 6" AGGREGATE BASE
- ITEM 452 - 9" NON-REINFORCED CONCRETE PAVEMENT, CLASS QC-1P
- ASPHALT PATH**
- ITEM 441 - 1-1/2" ASPHALT SURFACE COURSE, TYPE 1, (449)
- ITEM 441 - 2-1/2" ASPHALT INTERMEDIATE COURSE, TYPE 2, (449) (1 LIFT)
- ITEM 304 - 8" AGGREGATE BASE
- ITEM 204 - SUBGRADE COMPACTION, AS PER PLAN
- IMPERIOUS AREA TO PERVIOUS**
- ITEM 659 - SEEDING AND MULCHING, CLASS 1, AS PER PLAN

*WATER MAIN TRENCH REPAIR IN INTERSECTION TO BE REPAIRED COMPLETELY PRIOR TO INTERSECTION RESURFACING. THE AREAS OF THE REPAIRED TRENCHES ARE TO BE INCLUDED IN GRIND AND OVERLAY QUANTITIES.

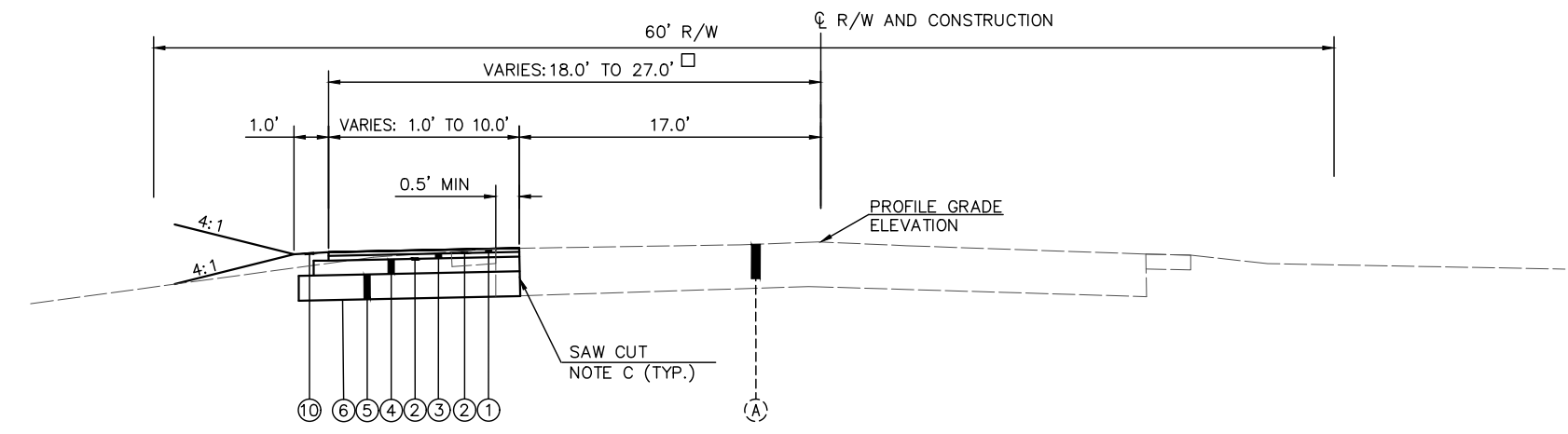
ABBREVIATIONS

- ATG - ADJUST TO GRADE
- RTG - RECONSTRUCTED TO GRADE
- DND - DO NOT DISTURB
- TBA - TO BE ABANDONED
- TBR - TO BE REMOVED
- MANHOLE RECONSTRUCTED TO GRADE

□ WIDENING TRANSITIONS BETWEEN STA. 17+20.41 TO STA. 18+30.00.

NOTE B
TACK COAT FACE OF CURB PRIOR TO ITEM 441 PLACEMENT, INCIDENTAL TO ITEM 441 ASPHALT CONCRETE.

NOTE C
PER C&MS 203.04E, LOCATE SOUND PAVEMENT EDGES, AND CUT AND TRIM PAVEMENT TO A NEAT LINE. REPAIR AND RESTORE DAMAGE CAUSED BY THE EQUIPMENT OR METHODS. INCLUDE THE COST OF CUTTING, TRIMMING, AND DISPOSAL UNDER ITEM 203 EXCAVATION.



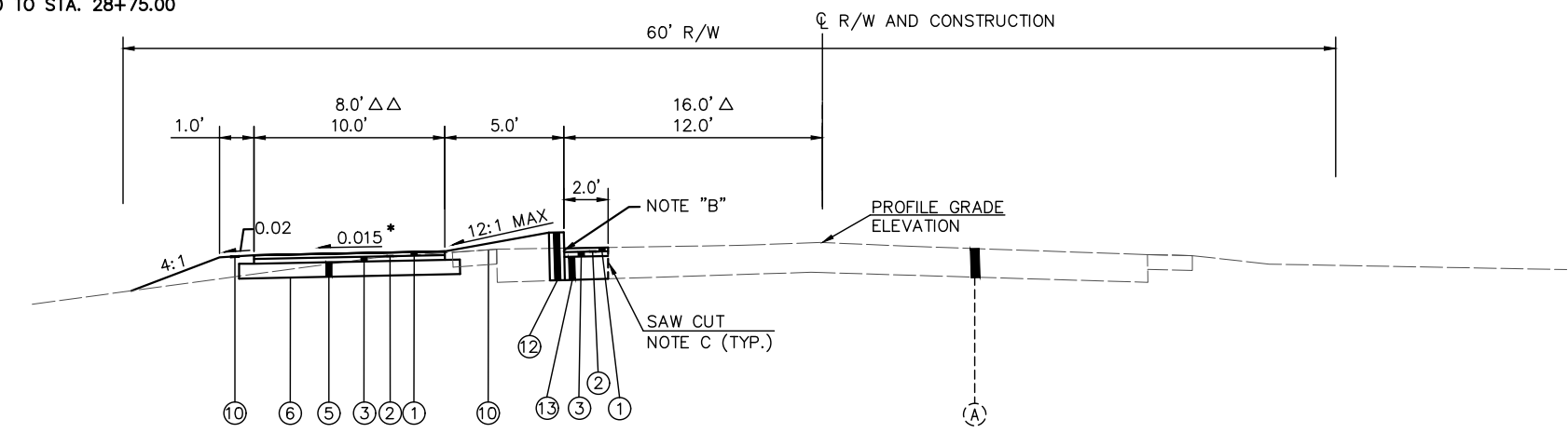
NORTH OHIO STREET WIDENING TYPICAL SECTION

STA. 17+20.00 TO STA. 18+30.00 = 110.00'

* CROSS SLOPE REVERSES BETWEEN STA 28+25.00 TO STA. 28+75.00

△ TRANSITIONS FROM 12.0' TO 16.0' BETWEEN STA. 28+25.00 TO STA. 28+75.00

△△ TRANSITIONS FROM 10.0' TO 8.0' BETWEEN STA. 28+25.00 TO STA. 28+75.00



NORTH OHIO STREET W/ ADJACENT PATH TYPICAL SECTION

STA. 18+30.00 TO STA. 29+05.00 = 1075.00'

LEGEND - TYPICAL SECTIONS

- ① - ITEM 441 - 1-1/4" ASPHALT CONCRETE SURFACE COURSE, TYPE 1, (449)
- ② - ITEM 407 - NON-TRACKING TACK COAT (APPLIED AT 0.090 GAL PER SQ. YD.)
- ③ - ITEM 441 - 1-3/4" ASPHALT CONCRETE INTERMEDIATE COURSE, TYPE 2, (449)
- ④ - ITEM 301 - 3" ASPHALT CONCRETE BASE, PG64-22
- ⑤ - ITEM 304 - 6" AGGREGATE BASE
- ⑥ - ITEM 204 - SUBGRADE COMPACTION, AS PER PLAN

- ⑦ - ITEM 411 - 4" STABILIZED CRUSHED AGREGATE
- ⑧ - ITEM 608 - 4" CONCRETE WALK
- ⑨ - ITEM 609 - COMBINATION CURB AND GUTTER, TYPE B
- ⑩ - ITEM 659 - SEEDING AND MULCHING, CLASS 1, AS PER PLAN
- ⑪ - ITEM 605 - 4" BASE PIPE UNDERDRAINS, AS PER PLAN
- ⑫ - ITEM 609 - TYPE 6 BARRIER CURB
- ⑬ - ITEM 613 - 15" LOW STRENGTH MORTAR BACKFILL

- (A) - EXISTING ASPHALT AND ASPHALT BASE MATERIALS
- (B) - EXISTING CONCRETE WALK
- (C) - EXISTING CONCRETE CURB

EARTH WORK VOLUME TABLE

STATION	CUT AREA	FILL AREA	CUT VOL	FILL VOL
11+71.7	0.0	0.0	0	0
12+05.5	84.0	0.0	53	0
12+50.0	62.1	0.0	120	0
13+00.0	72.0	0.0	124	0
13+50.0	54.4	0.0	117	0
13+75.1	58.9	0.1	53	0
14+00.0	52.4	0.0	51	0
14+58.0	35.9	2.6	95	3
14+81.7	35.9	0.3	47	1
14+94.7	57.9	0.3	38	0
18+00.0	5.6	1.9	15	2
18+55.8	3.8	2.9	10	5
19+00.0	0.1	2.0	3	4
19+50.0	0.0	2.6	0	4
19+85.3	7.4	0.0	5	2
20+00.0	14.1	0.0	6	0
20+70.7	3.9	0.2	24	0
21+00.0	8.5	0.0	7	0
21+50.0	0.0	2.7	8	3
22+00.0	0.0	2.6	0	5
22+50.0	0.0	5.1	0	7
23+00.0	0.0	2.2	0	7
23+50.0	12.4	0.2	11	2
24+00.0	6.9	0.3	18	0
24+36.2	0.0	5.1	5	4
24+41.4	0.0	3.0	0	1
25+00.0	0.1	2.5	0	6
25+50.0	0.1	1.9	0	4
25+95.5	2.2	1.2	2	3
26+45.2	16.5	0.0	17	1
27+00.0	12.1	0.2	29	0
27+32.5	6.5	0.6	11	0
27+91.3	17.5	0.0	26	1
28+10.4	7.7	0.0	9	0
28+50.0	7.5	0.0	11	0
28+86.4	7.1	0.0	10	0
29+00.0	0.0	0.0	2	0
29+20.1	0.0	0.0	0	0
DIRT QTY TOTALS			881	65

201	CLEARING AND GRUBBING	LUMP	1	632	VEHICULAR SIGNAL HEAD, (LED), 3-SECTION, 12" LENS, 1-WAY, POLYCARBONATE, AS PER PLAN, BLACK	EACH	5
202	REMOVED	LUMP	1	632	VEHICULAR SIGNAL HEAD, (LED), 5-SECTION, 12" LENS, 1-WAY, POLYCARBONATE, AS PER PLAN, BLACK	EACH	5
202	WALK REMOVED	S.F.	1658	632	PEDESTRIAN SIGNAL HEAD, (LED), TYPE D2, COUNTDOWN, AS PER PLAN	EACH	4
202	CURB AND GUTTER REMOVED	FT.	746	632	COVERING OF VEHICULAR SIGNAL HEAD	EACH	10
202	PIPE REMOVED	FT.	65	632	COVERING OF PEDESTRIAN SIGNAL HEAD	EACH	4
202	CATCH BASIN REMOVED	EACH	6	632	PEDESTRIAN PUSHBUTTON, AS PER PLAN	EACH	4
202	MANHOLE ABANDONED	EACH	4	632	SIGNAL CABLE, 3-CONDUCTOR, NO. 14 AWG.	FT.	520
202	VALVE BOX REMOVED	EACH	5	632	SIGNAL CABLE, 5-CONDUCTOR, NO. 14 AWG.	FT.	535
203	EXCAVATION INCLUDING EMBANKMENT CONSTRUCTION	C.Y.	881	632	SIGNAL CABLE, 7-CONDUCTOR, NO. 14 AWG.	FT.	1055
204	SUBGRADE COMPACTION	S.Y.	3559	632	SIGNAL CABLE, 3-CONDUCTOR, NO. 12 AWG.	FT.	580
204	EXCAVATION OF SUBGRADE, AS PER PLAN	C.Y.	450	632	SIGNAL SUPPORT FOUNDATION, AS PER PLAN	EACH	3
204	GEOGRID, AS PER PLAN	S.Y.	1400	632	PEDESTAL FOUNDATION	EACH	1
254	PAVEMENT PLANING, ASPHALT CONCRETE	S.Y.	1862	632	SERVICE CABLE, 3-CONDUCTOR, NO. 6 AWG.	FT.	70
301	3" ASPHALT CONCRETE BASE, PG. 64-22	C.Y.	150	632	POWER SERVICE, AS PER PLAN	EACH	1
304	AGGREGATE BASE	C.Y.	659	632	COMBINATION SIGNAL SUPPORT, TYPE TC-12.31 DESIGN 12 POLE, WITH MAST ARMS	EACH	1
407	NON-TRACKING TACK COAT FOR @ 0.09 GAL/S.Y.	GAL.	658	632	TC-81.22 DESIGN 14 AND DESIGN 13, AS PER PLAN	EACH	1
411	4" STABILIZED CRUSHED AGGREGATE	C.Y.	40	632	COMBINATION SIGNAL SUPPORT, TYPE TC-81.22, DESIGN 4, AS PER PLAN	EACH	1
441	1-3/4" ASPHALT CONCRETE INTERMEDIATE COURSE, TYPE 2, (449)	C.Y.	99	632	COMBINATION SIGNAL SUPPORT, TYPE TC-81.22, DESIGN 12, AS PER PLAN	EACH	1
441	1-1/4" ASPHALT CONCRETE SURFACE COURSE, TYPE 1, (449)	C.Y.	135	632	PEDESTAL, 8", TRANSFORMER BASE, AS PER PLAN	EACH	1
441	2-1/2" ASPHALT CONCRETE INTERMEDIATE COURSE, TYPE 2, (449) (ASPHALT PATH)	C.Y.	82	632	REMOVAL OF TRAFFIC SIGNAL INSTALLATION, AS PER PLAN	LUMP	1
441	1-1/2" ASPHALT CONCRETE SURFACE COURSE, TYPE 1, (449) (ASPHALT PATH)	C.Y.	49	633	CABINET, TYPE TS-2, AS PER PLAN	EACH	1
452	9" NON-REINFORCED CONCRETE PAVEMENT	S.Y.	94	633	CABINET FOUNDATION	EACH	1
452	6" NON-REINFORCED CONCRETE PAVEMENT	S.Y.	39	633	CONTROLLER WORK PAD, AS PER PLAN	EACH	1
605	4" SHALLOW PIPE UNDERDRAINS, PERFORATED	FT.	690	633	UNINTERRUPTIBLE POWER SUPPLY (UPS), 1000 WATT, AS PER PLAN	EACH	1
608	4" CONCRETE WALK	S.F.	2572	638	4" PVC C-900 DR-18 WATER MAIN	FT.	32
608	CURB RAMP	S.F.	580	638	6" PVC C-900 DR-18 WATER MAIN	FT.	96
609	COMBINATION CURB AND GUTTER, TYPE 2	FT.	690	638	8" PVC C-900 DR-18 WATER MAIN	FT.	388
609	TYPE 6 BARRIER CURB	FT.	1050	638	16" PVC C-900 DR-18 WATER MAIN	FT.	509
609	CURB AND GUTTER, REPLACED IN-KIND	FT.	112	638	16" WATER MAIN, DIRECTIONAL DRILLED	FT.	385
611	4" CONDUIT, TYPE E	FT.	80	638	4" GATE VALVE AND VALVE BOX	EACH	2
611	4" CONDUIT, TYPE B, 707.45, STORM REPAIR	FT.	50	638	6" GATE VALVE AND VALVE BOX	EACH	1
611	6" CONDUIT, TYPE B, 707.45, STORM REPAIR	FT.	50	638	8" GATE VALVE AND VALVE BOX	EACH	5
611	8" CONDUIT, TYPE B, 707.45, STORM REPAIR	FT.	50	638	16" GATE VALVE AND VALVE BOX	EACH	6
611	12" RCP STORM SEWER	FT.	171	638	1" WATER SERVICE BRANCH, AS PER PLAN	FT.	157
611	15" RCP STORM SEWER	FT.	49	638	6" FIRE HYDRANT ASSEMBLY, AS PER PLAN	EACH	3
611	CATCH BASIN RECONSTRUCTED TO GRADE	EACH	1	638	FIRE HYDRANT ASSEMBLY REMOVED	EACH	1
611	CATCH BASIN TYPE 1	EACH	6	638	SAMPLING STATION	EACH	2
611	CATCH BASIN TYPE 1A	EACH	1	644	EDGE LINE	MILE	0.12
611	CATCH BASIN 2-2B	EACH	1	644	CENTER LINE	MILE	0.12
611	TYPE 3 STORM MANHOLE	EACH	1	644	CHANNELIZING LINE, 8"	FT.	360
611	SANITARY MANHOLE RECONSTRUCTED TO GRADE	EACH	2	644	BROKEN WHITE LANE LINE, 6"	FT.	153
613	LOW STRENGTH MORTAR BACKFILL	C.Y.	102	644	DOTTED LANE LINE, 4" (WHITE)	FT.	115
614	MAINTAINING TRAFFIC	LUMP	1	644	STOP LINE	FT.	138
614	DETOUR SIGNING	LUMP	1	644	TRANSVERSE LINE	FT.	42
623	MONUMENT ASSEMBLY	EACH	1	644	CROSSWALK LINE	FT.	252
624	MOBILIZATION	LUMP	1	644	LANE ARROW	EACH	7
625	BRACKET ARM, 15', AS PER PLAN	EACH	3	659	SEEDING AND MULCHING, CLASS 1, AS PER PLAN	S.Y.	3000
625	CONDUIT, 2", 725.051, AS PER PLAN	FT.	24	809	STOP-LINE RADAR DETECTION, AS PER PLAN	EACH	4
625	CONDUIT, 3", 725.051, AS PER PLAN	FT.	20	809	ATC CONTROLLER, AS PER PLAN	EACH	1
625	CONDUIT, 4", 725.051, AS PER PLAN	FT.	12	832	EROSION CONTROL	EACH	10000
625	CONDUIT, JACKED OR DRILLED, 725.052, AS PER PLAN, 3"	FT.	149	SPEC	REMOVE PIPE AND PLUG EXISTING TEE, AS PER PLAN	EACH	1
625	CONDUIT, JACKED OR DRILLED, 725.052, AS PER PLAN, 4"	FT.	118	SPEC	CUT AND PLUG, TYPE 2, AS PER PLAN	EACH	6
625	LUMINAIRE, CONVENTIONAL, SOLID STATE (LED), AS PER PLAN	EACH	3	SPEC	MASTER METER AND BACKFLOW ENCLOSURE	LUMP	1
625	PULL BOX, 725.08, 18"	EACH	3	SPEC	BRIDGE REHABILITATION, AS PER PLAN	EACH	13
625	PULL BOX, 725.08, 24"	EACH	1	SPEC	CIPP LINING OF EXISTING 12" SEWER LINE	FT.	401
625	GROUND ROD	EACH	5	SPEC	CIPP LINING OF EXISTING 15" SEWER LINE	FT.	87
630	REMOVAL OF GROUND MOUNTED SIGN AND DISPOSAL	EACH	3	SPEC	CIPP LINING OF EXISTING 24" SEWER LINE	FT.	1078
630	REMOVAL OF GROUND MOUNTED SIGN AND RELOCATION	EACH	1	SPEC	SANITARY MANHOLE PROTECTIVE LINING SYSTEM	EACH	8
630	REMOVAL OF GROUND MOUNTED POST AND DISPOSAL	EACH	5				
630	GROUND MOUNTED SUPPORT, NO. 3 POST	FT.	78.5				
630	SIGN HANGER ASSEMBLY, MAST ARM, AS PER PLAN	EACH	9				
630	SIGN SUPPORT ASSEMBLY, POLE MOUNTED, AS PER PLAN	EACH	8				
630	SIGN, FLAT SHEET	S.F.	78.25				
630	SIGN, STREET NAME, AS PER PLAN	EACH	5				

